

TEAC CD-552E CD-ROM Drive

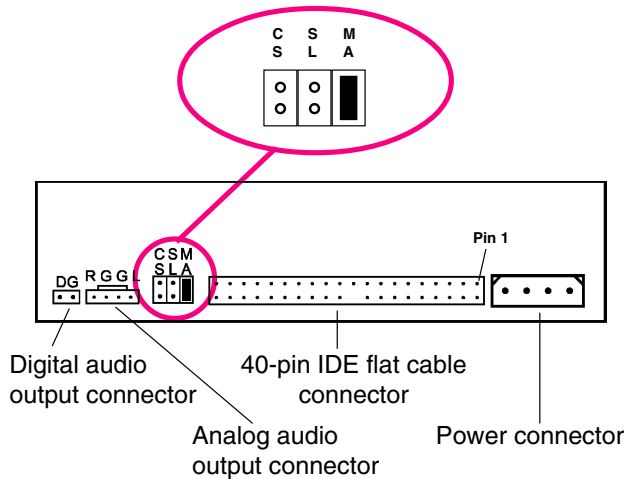
Quick Installation Guide

Drive Installation Directions

The drive is operated in horizontal position. The eject button is located on the right side of the panel. Installation position is not allowed to be tilted more than 15 degrees out of the horizontal position.

Jumpers for IDE Configuration

The strap is factory-preset as shown:



The TEAC CD-552E can be operated in the modes Cable Select (CS), Master (MA) or Slave (SL).

Important:

During setting the mode be sure to switch off respectively disconnect any voltages connected to the drive (see section "Installation and Connection").

C S	S L	M A	Remarks
-	-	X	Master: CD-ROM drive is configured as first IDE drive (basic setting). This configuration can be used only if the drive is connected to the second IDE controller (secondary IDE). If a hard disk is already operated at the secondary IDE controller (configured as master) the jumper setting at the CD-ROM has to be changed to slave.
-	X	-	Slave: CD-ROM drive is configured as second IDE drive. If there is only one hard disk in the PC the CD-ROM can be operated at the same IDE connection parallel to this hard disk. Important: The data rates of both devices may be decreased.
X	-	-	Cable Select: Master/slave detection is achieved by the controller.

Remarks: X: jumper set
-: jumper not set (left open)

Installation and Connection

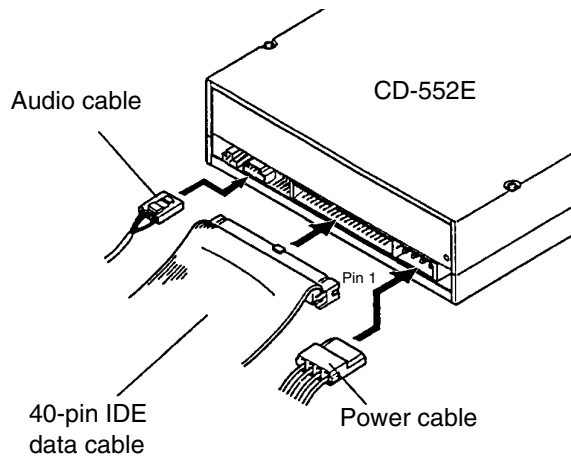
Note:

To use the TEAC CD-ROM drive an IDE (ATAPI) controller is required. Usually it is integrated on the system board of your PC. The drivers required for operating the CD-ROM drive are a part of your operating system.

Very important:

Switch off your PC and any attached devices and disconnect the power cord(s). It is not sufficient to switch off the power switch! Do the same if the CD-ROM drive is reconfigured.

- (1) Open the case of your PC and lift it off carefully.
- (2) Configure the CD-ROM drive if necessary.
- (3) Locate a free slot for 5.25" drives and install the drive using the provided four screws.
- (4) Connect the power cable and the 40-pin data cable (assure the correct orientation, pin 1 is often marked with a color stripe) to the drive. Connecting in the wrong orientation may damage the drive and the PC!



- (5) Connect the provided audio cable to the sound card. Usually sound cards offer more than one connector to connect an audio cable to. Please refer to the manual of the sound card to find the connector in question.
- (6) Close the case of the PC. Do not forget to connect other devices and accessories if there are any.

TEAC CD-552E CD-ROM Drive

Quick Installation Guide

page 2

(7) Connect the PC to the wall outlet and switch it on.

Important:

If your PC will not start up correctly switch it off immediately and check all of the connections and jumper settings.

Maintenance and Cleaning

Maintenance and repairs shall only be carried out by qualified personal and specialized firms. Otherwise the drive may be severely damaged.

The front panel of the drive may be cleaned with a soft dry cloth. Heavier kinds of solings are removed with a damp cloth and a little bit of a non-aggressive cleaning fluid.

Caution:

Do not use cleaning CDs which will remove dirt of the lense of the laser aided by a little brush. Do not clean the inner parts of your TEAC CD-ROM drive with compressed air. Any of these methods may cause damage to your TEAC CD-ROM drive.

Software Installation

Windows 95/98/ME/2000/XP does not require a software installation. The drive is recognized automatically. If you like to access the drive under DOS (not necessary for the DOS box of Windows 95/98/ME/2000/XP) you have to insert the CD-ROM driver into "Config.sys" and MSCDEX.EXE into "AUTOEXEC.BAT". Please copy the CD-ROM driver from the drivers floppy to your hard disk.

CONFIG.SYS:

```
DEVICE=C:\CDROMDRV.SYS /D:MSCD001
```

AUTOEXEC.BAT:

```
C:\WINDOWS\COMMAND\MSCDEX.EXE /D:MSCD001
```

Handling

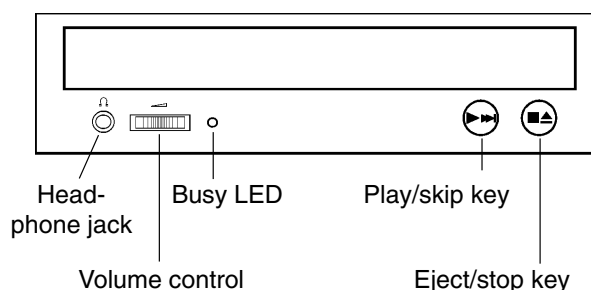
Check the CD-ROM before inserting it into the drive. It should not have finger prints or other dirt on it. Especially at high reading velocities dirt may increase the number of reading errors.

Very important:

Shape CDs, a kind of CD which is not shaped like the normal round CD, are **not** allowed to be used in this drive. Otherwise rotational forces may cause severe damage to the drive.

Reproducing Audio CDs

Audio CDs may be reproduced with special software like the CD Player of Windows95/98/ME/2000/XP. Audio CDs are recognized and played automatically. Otherwise you may use the keys on the drive itself:



- a) Play/Skip
After inserting an audio CD you have to press this key to start the reproduction. In some cases it can be necessary to adjust the volume at your sound card. Pressing the key again starts the next music title. The remaining music of the title reproduced before is skipped.
- b) Eject/Stop
Pressing this key once during the reproduction of a music title stops playing the title. Pressing the key again ejects the CD tray containing the audio CD.

Very important:

Please do not try to reproduce data CDs under any circumstances. This may cause severe damage to your audio equipment!